

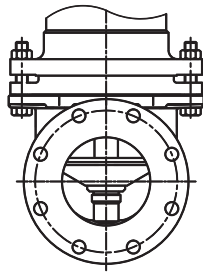
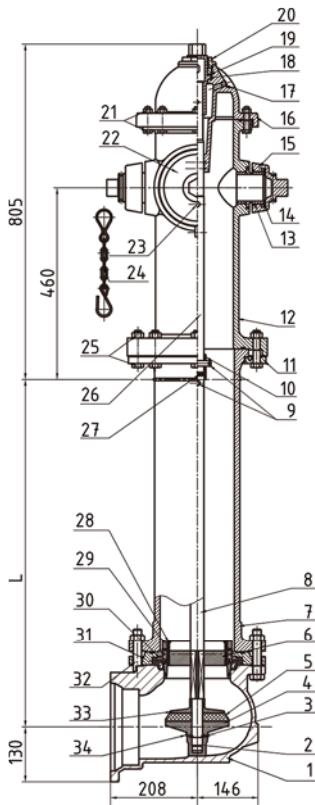
HHY

series

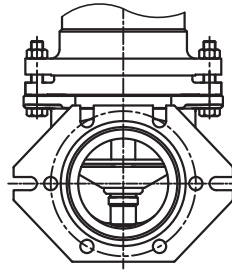


Dry Barrel Fire Hydrant

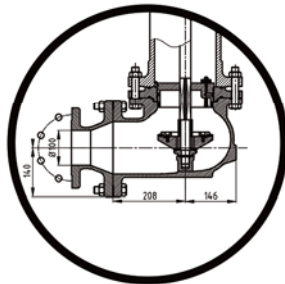
- Working Pressure: 250 PSI
- Connection:
 Mechanical Type (ANSI/AWWA C153/A21.536)
 Flanged Type (ASME B16.5 CLASS 150/DIN 2501 PN16)
 2 x 2½" NH thread connectors for soft hose connection.
 1 x 4½" NH thread pumper connection for fire trucks.
- Dry barrel design eliminates damage to the hydrant caused by freezing of the upper part.
- Main valve is easily removed from either the ground line flange.



HHY-250FF



HHY-250MJ



| ITEM | PARTS | MATERIAL |
|------|---------------|--------------|
| 1 | BODY | DUCTILE IRON |
| 2 | SEAT | ASTM-C95400 |
| 3 | HOSE NOZZLE | BRONZE |
| 4 | OPERATING NUT | BRONZE |
| 5 | PUMP NOZZLE | BRONZE |
| 6 | BONNET | DUCTILE IRON |
| 7 | STEM | CARBON STEEL |

| SIZES | | DIMENSIONS (MM) | | | | | |
|---------|--------------|-----------------|---------------|-------------------|--------------|------------------|--------|
| Inch | mm | WAY | PUMPER OUTLET | HOSE OUTLET | BURIED DEPTH | WORKING PRESSURE | WEIGHT |
| 4" / 6" | DN 100 / 150 | 3 | 4½" NH thread | 2 x 2½" NH thread | 1063 | 250 PSI | 176 KG |
| 4" / 6" | DN 100 / 150 | 3 | 4½" NH thread | 2 x 2½" NH thread | 1215 | 250 PSI | 183 KG |
| 4" / 6" | DN 100 / 150 | 3 | 4½" NH thread | 2 x 2½" NH thread | 1368 | 250 PSI | 201 KG |
| 4" / 6" | DN 100 / 150 | 3 | 4½" NH thread | 2 x 2½" NH thread | 1520 | 250 PSI | 203 KG |
| 4" / 6" | DN 100 / 150 | 3 | 4½" NH thread | 2 x 2½" NH thread | 1673 | 250 PSI | 210 KG |
| 4" / 6" | DN 100 / 150 | 3 | 4½" NH thread | 2 x 2½" NH thread | 1825 | 250 PSI | 218 KG |
| 4" / 6" | DN 100 / 150 | 3 | 4½" NH thread | 2 x 2½" NH thread | 1978 | 250 PSI | 226 KG |
| 4" / 6" | DN 100 / 150 | 3 | 4½" NH thread | 2 x 2½" NH thread | 2130 | 250 PSI | 235 KG |